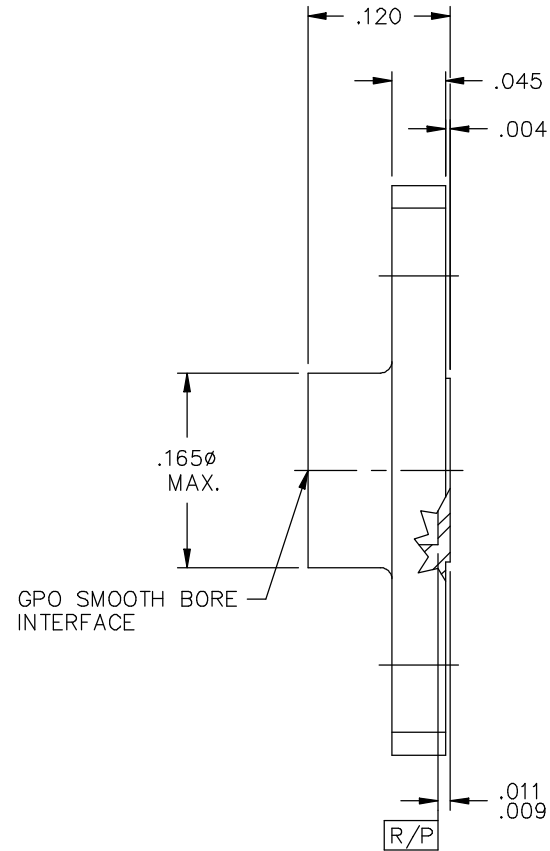
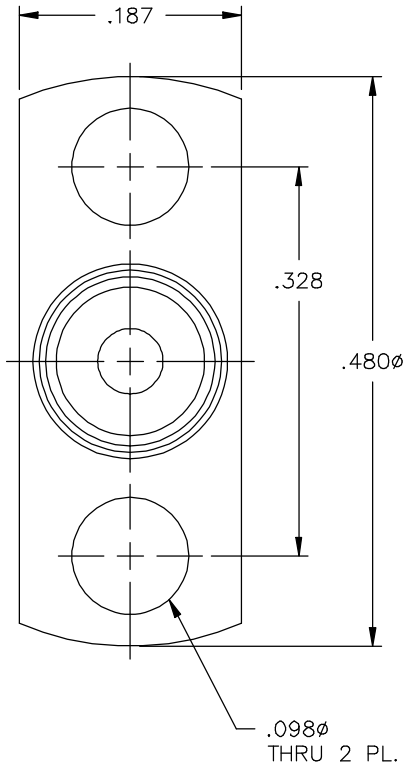
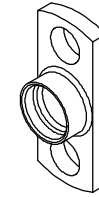


CATALOG NUMBER

0119-954-3

MATERIAL AND FINISH

SHROUD: CRES 303; PASSIVATED



This drawing and any data contained herein is the property of Corning Gilbert Inc., and constitutes and contains proprietary and confidential information. Neither receipt nor possession of this drawing confers or transfers any right to duplicate, use or disclose any information contained herein except as expressly authorized by Corning Gilbert Inc.

GPO SMOOTH
BORE FLANGE
MOUNT SHROUD

IDENT CODE:
82316

REVISION: B

Corning Gilbert Inc.

SOURCE FILE: F-327, MECR# 2193

DWG. NO.:

OL-0119-954-3

ASSY. PROC.:

-